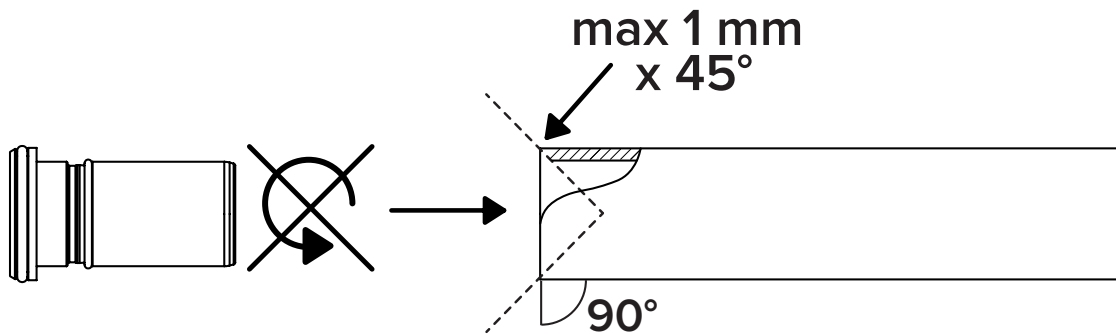


INSTALLATION INSTRUCTIONS FOR ISIFLO SPRINT WITH SEAL LINER

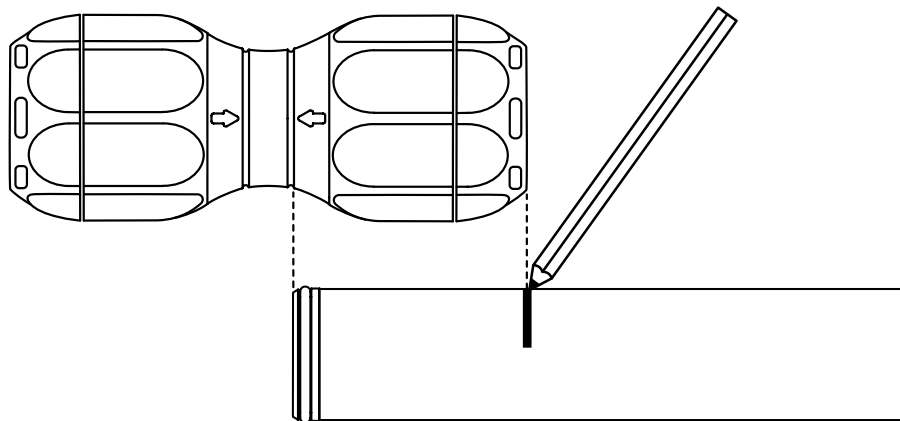
1.

Cut the pipe straight and chamfer the inner edge of pipe with an appropriate tool.
Insert the Seal Liner without twist or use of lubricant.



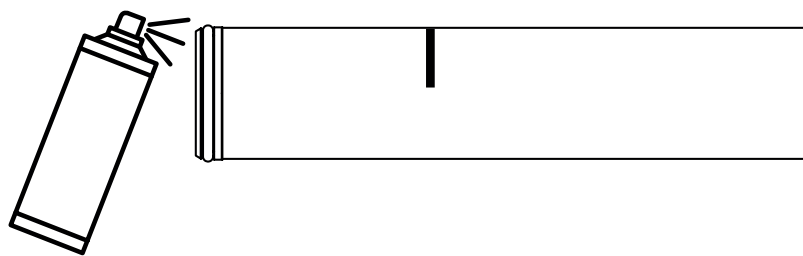
2.

Mark the insert depth on the pipe.



3.

Lubricate the outer O-ring of the Seal Liner.



4.

Push the pipe in the coupling with a twist.

